

LOCAL CONTROL STATIONS

EFXE Series - Stainless steel AISI 316 L



Control stations EFXE Series, made of stainless steel AISI 316 L, are manufactured by using enclosures SB Series. They are designed to meet the requirements for use ON and OFF-SHORE, in petrochemical and marine applications and for any other industry where an explosive atmosphere may be present.

They can be equipped with following certified components:

- Standard and emergency push buttons,
- Rotating switches,
- Signalling lamps,
- Measurement instruments.

MARKING

II 1G Ex ia IIC/IIB T6/T5/T4 Ga

II 2GD

Ex db eb ia/ib mb* IIC/IIB T6/T5/T4 Gb and/or

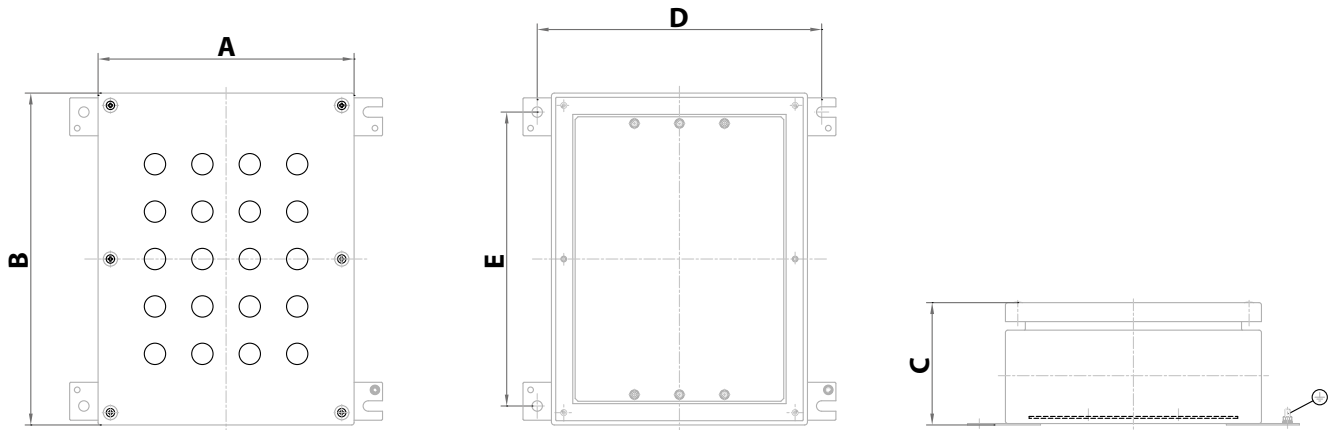
Ex tb IIIC T85/T100/T135°C Db

*Associated equipment protection depending on the components actually mounted

TECHNICAL FEATURES

Material	AISI316L stainless steel
IP rating	IP65*/IP66 *Depending on the type of components installed on
Shock resistance	IK10
Ambient temperature range	-50°C to +95°C
Approvals	FIDI21ATEX0090X IECEX FIDI21.0015X EAC RUC-IT.BH02.B.00593/20 ECAS-Ex Available
Additional approval	CCOE P482696/1; P471583/1 (for more info ask to the Sales Offices)
Surface treatment	Acid treatment Electropolish treatment (upon request)
Standard certificate label	Made by self adhesive UV and corrosion resistant polyester, approved by certified Laboratory
Included accessories	Screws and accessories in AISI316L stainless steel
Optional accessories	Side gland plates Without hinges Drain/breather valve Laminated plastic/Stainless steel certificate label Internal mounting plate Locking facility Internal/external through earth bolt
Available versions	Standard version: up to internal tempertaure of 105°C ST Version available upon request (with only 1/4 turn key and hinges) without screw

Dimensions EFXE



EFXE Series - Stainless steel push button stations

TYPE	DIMENSIONS [mm]					WEIGHT [Kg]	MOUNTING PLATES [MM]	COVER ENTRIES (OPERATORS)
	A	B	C	FIXING				
				D	E			
EFXE-142013SB	140	200	130	170	-	4,00	90X150	2
EFXE-151510SB**	150	150	100	180	-	3,00	-	4
EFXE-202016SB	200	200	160	230	160	5,00	150X150	6
EFXE-202713SB	200	270	130	230	230	6,00	150X220	9
EFXE-202716SB	200	270	160	230	230	6,40	150X220	9
EFXE-272713SB	270	270	130	300	230	7,00	220X220	12
EFXE-273513SB	270	350	130	300	310	8,10	220X300	16
EFXE-273516SB	270	350	160	300	310	8,70	220X300	16
EFXE-282816SB	280	280	160	310	240	7,80	230X230	12
EFXE-282827SB	280	280	270	310	240	9,70	230X230	12
EFXE-353516SB	350	350	160	380	310	10,20	300X300	24
EFXE-353520SB	350	350	200	380	310	11,00	300X300	24
EFXE-355016SB	350	500	160	380	460	12,90	300X450	36
EFXE-355020SB	350	500	200	380	460	13,90	300X450	36
EFXE-383816SB	380	380	160	410	340	11,20	330X330	24
EFXE-383820SB	380	380	200	410	340	12,20	330X330	24
EFXE-383827SB	380	380	270	410	340	13,90	330X330	24
EFXE-384516SB	380	450	160	410	410	13,20	330X400	30
EFXE-384520SB	380	450	200	410	410	13,60	330X400	30
EFXE-385716SB	380	570	160	410	530	15,30	330X520	42
EFXE-505016SB	500	500	160	530	460	16,60	450X450	54
EFXE-505020SB	500	500	200	530	460	18,00	450X450	54
EFXE-575716SB	570	570	160	600	530	20,00	520X520	70
EFXE-575720SB	570	570	200	600	530	21,40	520X520	70
EFXE-575730SB	570	570	300	600	530	25,00	520X520	70
EFXE-577620SB	570	760	200	600	720	26,50	520X710	100
EFXE-769520SB	760	950	200	790	910	38,50	710X900	168

** The enclosure is without hinges and complete with TS35x7,5 Omega rail welded on the back.
For complete push button stations and other sizes up to 1500 x 960 x 500 cm contact our Sales Dept.

LOCAL CONTROL STATIONS

EFXE Series - Copper free aluminium low thickness



Control stations EFXE Series, made of aluminium with low content of copper, are manufactured by using enclosures AQ/AR Series. They are designed to meet the requirements for use ON and OFF-SHORE, in petrochemical and marine applications and for any other industry where an explosive atmosphere may be present.

They can be equipped with following Ex de certified components:

- Standard and emergency push buttons;
- Rotating switches;
- Signalling lamps;
- Measurement instruments.

MARKING

II 1G

Ex ia IIC/IIB T6/T5/T4 Ga

II 2GD

Ex db eb ia/ibmb* IIC/IIB T6/T5/T4 Gb and/or

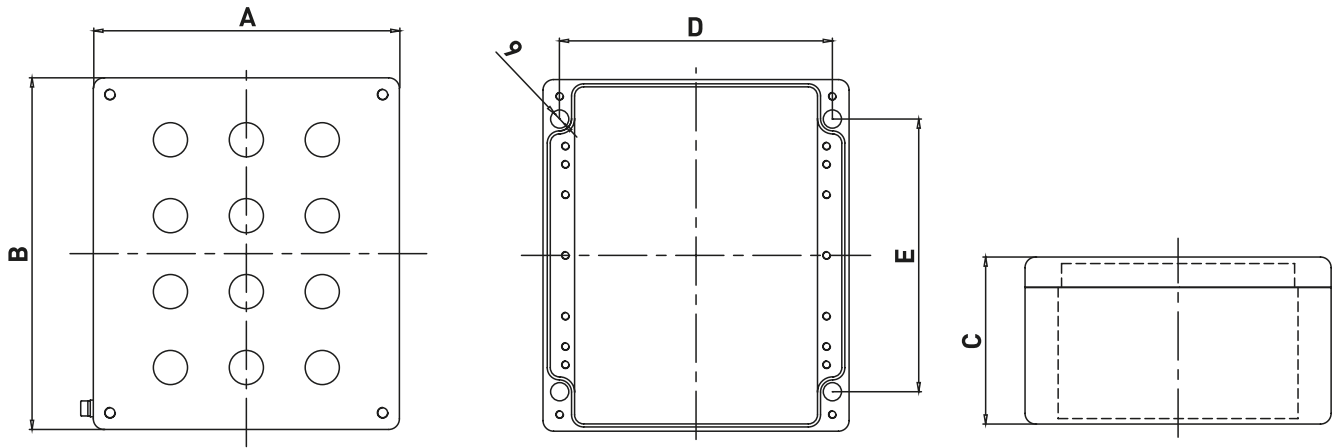
Ex tb IIIC T85°C/T100°C/T135°C Db

*Associated equipment protection depending on the components actually mounted

TECHNICAL FEATURES

Material	Aluminium with low content of copper
IP rating	IP65*/IP66 *Depending on the type of components installed on
Shock resistance	7J
Ambient temperature range	-50°C to +95°C
Approvals	FIDI 21ATEX 0090X IECEX FIDI21.0015X EAC RUC-IT.BH02.B.00593/20 ECAS-Ex Available
Additional approval	CCOE P482696/1; P471583/1 (for more info ask to the Sales Offices)
Surface treatment	Standard with polyester powder coating RAL 7001 (other colour available upon request)
Standard certificate label	Made by self adhesive UV and corrosion resistant polyester, approved by certified Laboratory
Included accessories	Screw in AISI304 AISI316L upon request
Optional accessories	Hinges Drain/breather valve Laminated plastic/Stainless steel certificate label Internal mounting plate Internal/external through earth bolt
Available version	Standard version: up to internal tempertaure of 105°C HT version: up to internal temperature of 130°C

Dimensions EFXE



EFXE Series - Aluminium push button stations

TYPE	DIMENSIONS [mm]					WEIGHT [Kg]	MOUNTING PLATE	COVER ENTRIES
	A	B	C	FIXING				
				D	E			
EFXE-101008AL*	100	100	81	66	86	0,62	-	1
EFXE-121208AL*	120	120	81	83	106	0,94	100X100	1
EFXE-122209AL*	120	220	91	83	204	1,43	100X195	3
EFXE-141409AL*	140	140	91	93	120	1,34	110X120	4
EFXE-161609AL*	160	160	91	110	140	1,50	130X140	4
EFXE-162609AL*	160	260	91	110	240	1,78	130X240	8
EFXE-181810AL*	180	180	101	130	160	1,68	150X160	4
EFXE-202311AL*	200	230	111	150	200	2,44	170X210	9
EFXE-202318AL*	200	230	181	150	200	2,66	170X210	9
EFXE-232811AL*	230	280	111	180	260	2,99	200X260	12
EFXE-233312AL*	230	330	121	180	305	3,15	200X270	16
EFXE-233318AL*	230	330	181	180	305	3,21	200X310	16

*HT version upon request

EFXE Series - Aluminium push buttons stations only HT version

TYPE	DIMENSIONS [mm]					WEIGHT [Kg]	MOUNTING PLATE	COVER ENTRIES
	A	B	C	FIXING				
				D	E			
EFXE-102311AL-HT	100	230	111	66	200	2,00	-	3
EFXE-123608AL-HT	120	360	81	83	344	2,03	100X340	6
EFXE-163609AL-HT	160	360	91	110	344	2,13	130X340	12
EFXE-234011AL-HT	230	400	111	180	380	3,23	200X380	21
EFXE-234023AL-HT	230	400	225	180	380	7,96	200X380	21
EFXE-314011AL-HT	310	400	111	262	382	3,29	280X380	28
EFXE-314018AL-HT	310	400	181	262	382	8,38	280X380	28
EFXE-316011AL-HT	310	600	111	260	580	9,24	280X580	33
EFXE-316018AL-HT	310	600	181	262	580	12,00	280X580	33
EFXE-606020AL-HT	600	600	202	525	555	22,00	570X580	77

For complete push button stations contact our sales dept.